



ORIGINE  
FRANCE®  
GARANTIE

01 47 37 00 00

# INSPIRATION /

*High standards for storing and serving wine  
in the kitchen*

EUROCAVE 



**5**

*Inspiration*

\*

**14**

*Understated  
& elegant*

\*

**26**

*Protection*

**8**

*Flavours*

\*

**18**

*Performance*

\*

**30**

*Warranty*

**10**

*Design*

\*

**22**

*Modularity*

\*

**32**

*Technical details*



Size S technical glass door



Size L technical glass door

## INSPIRATION

The heart of the home, the kitchen is no longer reserved just for cooking. A place to gather and spend time together, it is open to all the family and often friends too. The kitchen has become a place where good times are shared, things are created, ideas germinate and chemistry happens...

In this respect, the kitchen is just like the host: practical, welcoming and full of life! Which is why wine lovers often choose to store their best bottles there. Because shared moments, around a table or in a bar, are usually the perfect time for enjoying a glass of wine.

**For all these reasons, we created Inspiration.**







Adeline Grattard – Michelin-starred restaurant Yam'Tcha – Paris

## ADELINE GRATTARD

**By combining the best French products with Chinese cooking techniques, in just a few years Yam'Tcha's young chef has become one of the darlings of Paris's gastronomic elite. Profile of a thirty-something in tune with her time who loves fine food and is passionate about tea and wine!**

“As a child, I dreamed of ginger and chilli!” Adeline Grattard has certainly retained the high standards she developed growing up in Burgundy. But for everything else - inspiration, style and technique, she looked elsewhere. In cookery books, which she devoured at an age when other youngsters were reading teenage comics or magazines, but also by opening up to different cultures at a young age. “I had the opportunity to travel a lot with my parents”, she says. “Obviously, that only increased my fascination for exotic cuisine”.

She started off studying German, but the desire to cook was stronger. In Paris, she joined the famous Ferrandi cookery school. Then she met Chi Wah Chan. A pivotal moment in her life. She fell in love with this leading tea specialist and decided to follow him to Hong Kong where she learned the secrets of Chinese cooking. On returning to Paris, they created a little-



known restaurant: Yam'Tcha. She worked in the kitchen, he served tea. But the first Michelin star arrived in just a few months and with it, success. They had to move to a bigger place, which they designed together. Located a stone's throw from the Louvre Museum, the new Yam'Tcha is “a Venetian palace in a Chinese style”, she says.

The dishes – delicious – are served with either tea or wine. “At Yam'Tcha, tea and wine are equally important. We serve a lot of tea but we also have over 200 wine labels, including some very good bottles, which we age with a lot of care and attention. Whilst tea is good for cleansing the palate and wine is good for strengthening it, there are no set rules for the pairings that we suggest because the feeling is also very important. At home with friends and family, I can't imagine a meal without a good bottle of wine! Incidentally, one of my greatest dreams is to have my own cellar at home in order to be able to permanently store twenty to thirty bottles of champagne in it”.

“ With my friends and family, I can't imagine a meal without a good bottle of wine! ”







Lionel – PioPio design agency

## DESIGN

“ Design a range of wine cabinets exclusively for the kitchen, which are high performance, durable and timeless with clean lines, whilst stamping the range with EuroCave’s identity.

This was the challenge set by EuroCave’s teams when they consulted us.

Is this not just a matter of aesthetics?

Many competitors’ products are now in our kitchens, drawing inspiration from and using components from large electrical appliances such as refrigerators.

“Inspiration”, must be a wine cabinet in which the terms insulation, constant temperature, peace of mind, silence, ventilation, and also, discretion, modernity, security and modularity ALL have real meaning.

The ergonomic variety and complexity of kitchen units according to each distributor and continent, made it a painstaking task.

How can we ensure the cabinets blend with most styles of kitchen but don’t simply look like all the other cabinets? How can we ensure the cabinets are discreet yet have their own identity? How can we facilitate the work of fitters?

In the end, we opted for a wine cabinet which is completely smooth, with no protrusions or handles, creating an air of mystery and enticing you to discover what is beneath the work tops and inside kitchen units. Only a curved recess in the control panel reveals the opening to access the inside of the carnotzet\*.

The control panel is also set back, in order to avoid increasing the visual pollution caused by the many screens of electrical appliances.

A EuroCave wine cabinet is synonymous with demanding customers, whose priority is to store their best bottles in the best possible conditions or to have them close at hand.

We have really incorporated this point into the design of the Inspiration range, just as in the best cellars, by thickening its insulating walls whilst most effectively optimising bottle capacity. Well thought out flexibility between storage and serving.

The use of high quality materials, such as wood or steel, as well as optimisation of the integrated LED lighting, whose light surrounds each bottle like a vault, wholeheartedly contribute to the image of respected tradition.

This quality of finish is found of course on the front, where shiny materials, such as black glossy plastics and glass blend with materials mat or satiny in appearance, such as stainless steel and painted steel.

In this way, the entire Inspiration range, with its modular, understated design, is at home in any contemporary kitchen.

\* Part of a wine cellar, used to entertain friends.







Size XS full glass door



## UNDERSTATED & ELEGANT

Clean lines, ergonomic curves...  
Inspiration's design was devised to be timeless, perfectly complement your kitchen and provide unprecedented ease of use.

**Time for understated design.**  
Technical elements are concealed...  
The air vent is invisible, the handles can no longer be seen and the hand grip is discreet.

**Time for elegance.**  
The bottles are lit by gentle amber lighting and the labels of your best bottles are beautifully set off by new shelves.

The "plus point": the control panel's backlit touch controls give your kitchen a subtle, high-tech feel.







*Curved control panel allowing you to more easily grip the door  
Touch screen with backlit keys*



*Amber-coloured mood lighting*



*Serving shelf allowing you to store  
your bottles upright*



*Shelf labels to identify your wines*



*Sliding shelf  
Bottle displayed horizontally*

Size S stainless steel and glass door



## PERFORMANCE

A brand synonymous with quality, Inspiration benefits from all of EuroCave's know-how, expertise and high standards in terms of storing and serving wine.

EuroCave, creator of the wine cabinet in 1976, offers long-term premium solutions. Inspiration cabinets guarantee a stable, controlled temperature, low energy consumption and low noise levels.

To ensure the highest level of performance, cabinet bodies in the Inspiration range are equipped with high quality, durable materials: aluminium interior, reinforced insulation, high strength external panelling and a unique cabinet body design.





*Size S stainless steel and glass door*





Size M full glass door

## MODULARITY

Not custom-made, but close...

**Built-in or flush-fitted<sup>1</sup>**, the Inspiration range adapts to your kitchen and the space in which it is installed.

Size XS, S, M or L... Inspiration offers a choice of four cabinet sizes that can store 17 - 89 bottles<sup>2</sup>!

Size XS has a maximum capacity of 17 bottles<sup>2</sup>.

Size S is similar to “washing machine” size and its maximum capacity is 30 bottles<sup>2</sup>.

Size M is equivalent to an average-sized wine cabinet and its maximum capacity is 59 bottles<sup>2</sup>.

Size L is equivalent to a large wine cabinet and its maximum capacity is 89 bottles<sup>2</sup>.

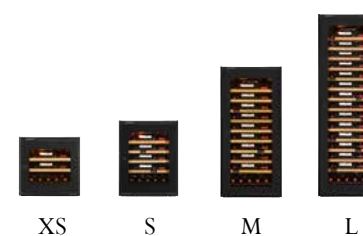
You can store, display or stand your full or open bottles upright according to your requirements because Inspiration allows you the freedom to choose from three types of shelf!

Full glass door (fully glazed, without a frame), glass door with stainless steel frame, glass door or solid door specially designed to be fitted with front panels to match those of your kitchen units... a wide choice of options to ensure your cabinet blends seamlessly with the rest of your kitchen.

<sup>1</sup> All of the cabinets in the Inspiration range can be both built-in and flush-fitted. If flush-fitting, the wine cabinet is placed between two kitchen units, usually under a work top. If the wine cabinet is going to be built-in, it is simply slid into the housing of the kitchen unit.

<sup>2</sup> Capacity traditional Bordeaux bottles in Access Pack or Premium Pack configuration.

4 cabinet body sizes to offer a capacity of up to 86 bottles<sup>2</sup>



<sup>2</sup> Capacity traditional Bordeaux bottles in Access Pack or Premium Pack configuration.

3 types of shelf

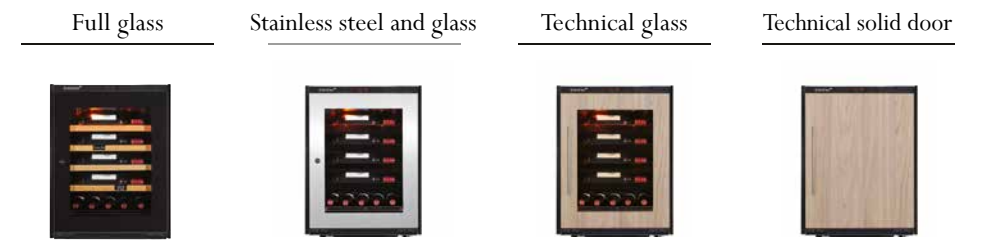


and a choice of 2 types of finish



Light oak or glossy black

Doors which perfectly complement your kitchen<sup>3</sup>



<sup>3</sup> According to the type of cabinet body.





*Size M stainless steel and glass door*



Size XS full glass door



Shelves fitted with *Main du Sommelier* supports  
hold your bottles securely and protect them from vibration

## PROTECTION

Inspiration benefits from all of EuroCave's technology and reproduces all of the conditions required for optimal wine maturing: a constant temperature, humidity levels between 50 and 80%, a constant circulation of air, glass doors with highly effective U.V. screening offering optimal insulation and protection from vibration.

Inspiration has cutting-edge interior equipment, specially designed to store your bottles in optimal conditions.

EuroCave's "Main du Sommelier" supports hold individual bottles and adapt to their shape. These, together with EuroCave's unique shelf system ensure optimal protection from vibration.

And for even better protection, all the cabinets in the Inspiration range are fitted with a safety thermostat, lock (depending on the type of door) and alarms to ensure that the cabinet is operating correctly at all times.



Lock





*Size L full glass door*

Size L technical glass door



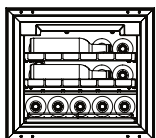
## WARRANTY

As a company which likes to offer its customers a high level of service, EuroCave offers a five year warranty for its Inspiration range.

5 YEAR  
WARRANTY



## SIZE XS

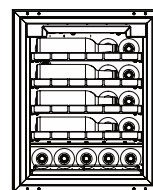


Premium pack

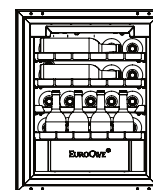
## Technical information

Function	Single temperature cabinet, for maturing or serving wine
Temperatures	5°C - 20°C
External operating temperature	12°C - 35°C
Bottle capacity	Premium pack 17 bottles
Consumption	139 kWh/year – Energy class A <sup>1</sup>
Sound emission	38 dB(A)
Feet	4 adjustable feet
Door types	Full Glass
Lock	Yes
Lighting	Identical LED mood lighting on all shelves
Alarms	Sensor, charcoal filter, humidity, temperature and door fault alarms
Reversible door	Yes
Useful volume	65 litres
Weight <sup>2</sup>	50.3 kg

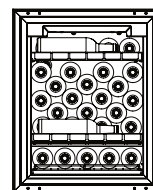
## SIZE S



Premium Pack



Service Pack

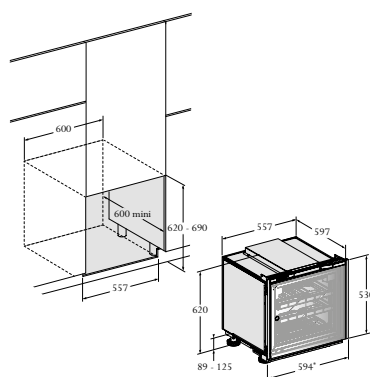


Access Pack

## Technical information

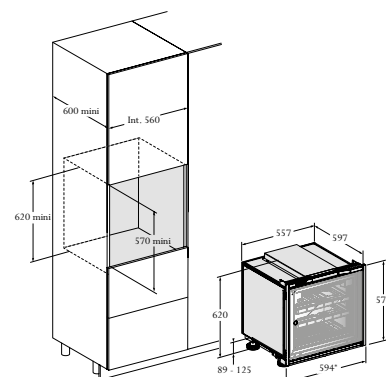
Function	Single temperature cabinet, for maturing or serving wine
Temperatures	5°C - 20°C
Outside operating temperature	12°C - 35°C
Bottle capacity	Premium Pack 29 bottles, Service Pack 28 bottles, Access Pack 30 bottles
Consumption	125 kWh/year – Energy class A <sup>1</sup>
Sound emission	38 dB(A)
Feet	4 adjustable feet, choice of 3 types of feet
Types of door	Full glass, technical solid, glass and stainless steel or technical glass
Lock	Yes <sup>2</sup>
Lighting	Identical LED mood lighting on all shelves
Alarms	Sensor, charcoal filter, humidity, temperature and door fault alarms
Reversible door	Yes
Useful volume	100 litres
Weight <sup>3</sup>	62 kg

## Can be flush-fitted



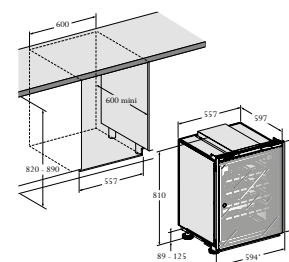
\*With filler strips

## Can be built-in



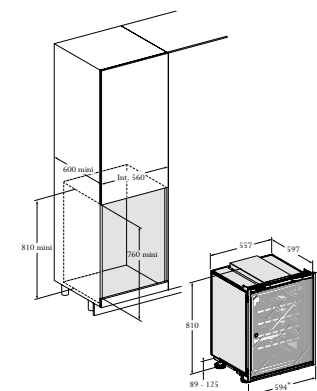
\*With filler strips

## Can be flush-fitted



\*With filler strips

## Can be built-in

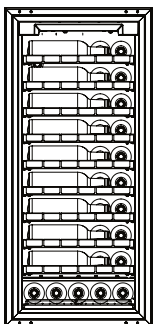


\*With filler strips

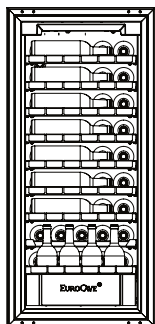
<sup>1</sup> Energy consumption calculated based on results obtained over 24 hrs in standard test conditions (25°C / 77°F) with a full glass door. Actual energy consumption depends on the operating conditions and location of the appliance. – 2 With full glass door + Premium Pack

<sup>1</sup> Energy consumption calculated based on results obtained over 24 hrs in standard test conditions (25°C / 77°F) with a full glass door. Actual energy consumption depends on the operating conditions and location of the appliance. – 2 Only on glass and stainless steel and full glass door – 3 For full glass door + Premium Pack

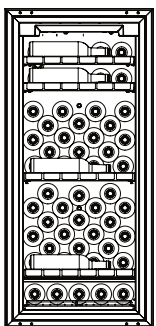
SIZE M



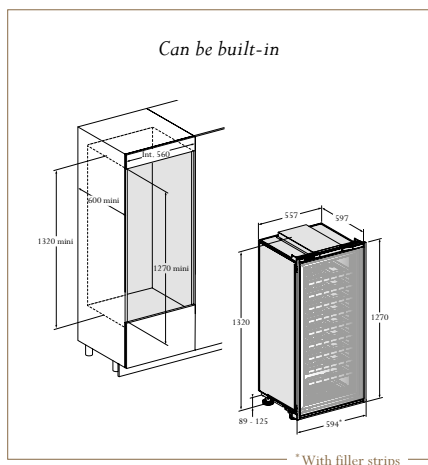
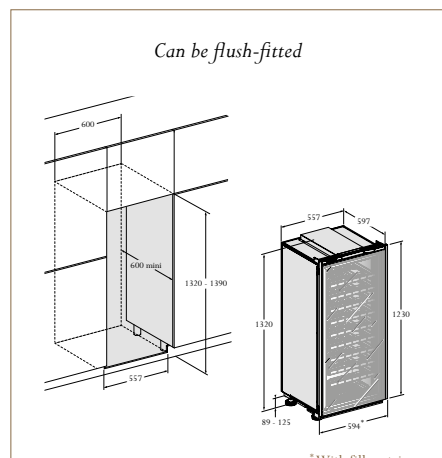
Premium Pack



Service Pack



Access Pack

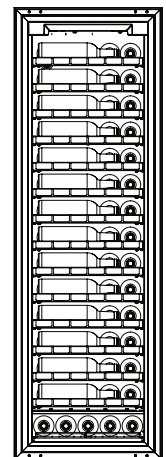


Technical information

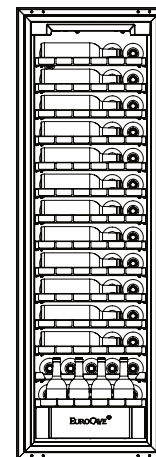
Function	Single temperature cabinet, for maturing or serving wine
Temperatures	5°C - 20°C
External operating temperature	12°C - 35°C
Bottle capacity	Premium Pack 59 bottles, Service Pack 58 bottles, Access Pack 58 bottles
Consumption	146 Kwh/year – Energy class A <sup>1</sup>
Sound emission	38 dB(A)
Feet	4 adjustable feet, choice of 3 types of feet
Types of door	Stainless steel and glass or full glass
Lock	Yes
Lighting	Identical LED mood lighting on all shelves
Alarms	Sensor, charcoal filter, humidity, temperature and door fault alarms
Reversible door	Yes
Useful volume	190 litres
Weight <sup>2</sup>	90.85 kg

<sup>1</sup> Energy consumption calculated based on results obtained over 24 hrs in standard test conditions (25°C / 77°F) with a full glass door. Actual energy consumption depends on the operating conditions and location of the appliance. – <sup>2</sup> For full glass door + Premium Pack

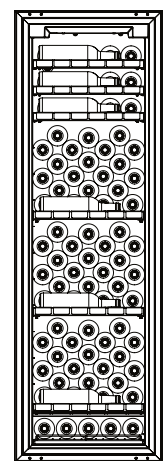
SIZE L



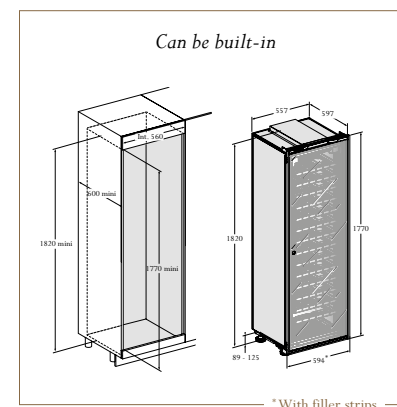
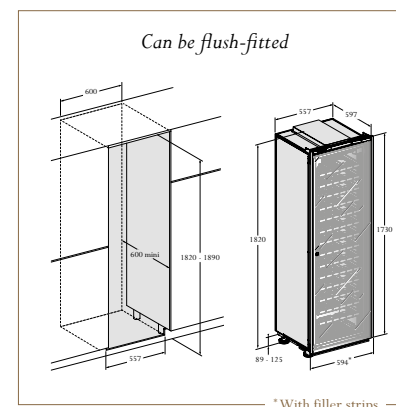
Premium Pack



Service Pack



Access Pack



Technical information

Function	Single temperature cabinet, for maturing or serving wine
Temperatures	5°C - 20°C
External operating temperature	12°C - 35°C
Bottle capacity	Premium Pack 89 bottles, Service Pack 88 bottles, Access Pack 89 bottles
Consumption	165 kWh/year – Energy class A <sup>1</sup>
Sound emission	38 dB(A)
Feet	4 adjustable feet, choice of 3 types of feet
Types of door	Full glass, technical solid, stainless steel and glass or technical glass
Lock	Yes <sup>2</sup>
Lighting	Identical LED mood lighting on all shelves
Alarms	Sensor, charcoal filter, humidity, temperature and door fault alarms
Reversible door	Yes
Useful volume	285 litres
Weight <sup>3</sup>	120 kg

<sup>1</sup> Energy consumption calculated based on results obtained over 24 hrs in standard test conditions (25°C / 77°F) with full glass door. Actual energy consumption depends on the operating conditions and location of the appliance. – <sup>2</sup> Only on stainless steel and glass and full glass door. – <sup>3</sup> For full glass door + Premium Pack



